

Technical Data Sheet

WEISS™

FH800

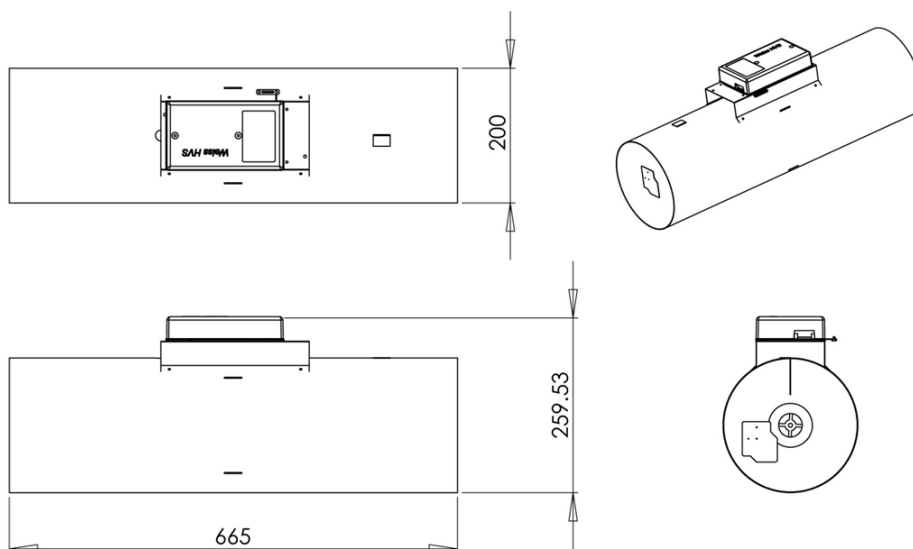
200mm Duct Warmer

Add-on for Ventilation System

Dimensions

Diameter

150mm



Specifications

Weight	2.3kg
Housing material	Steel

Approval

AS/NZS 3100.2002 Amdts 1-2 "General requirements of electrical equipment".

Features

- Easy to install
- All parts are included
- 3 separate safety cut-outs
- Output of up to 1000 watts
- 3 year extended warranty

Technical Data Sheet

Product Use

The FH800 is an induct warmer for use with the Weiss home ventilation systems

Typical applications:

- Add on tempering unit for home ventilation

Environmental Conditions

Operation	to IEC 721-3-3
Climatic conditions	class 3K5
Temperature	0...+50°C
Humidity	<95% r.h.

Standards

Test Report No	2867B
EMC Compliance	This is a Level One product with very low risk of causing EMC interference

General

N/A

Ordering

When ordering please give name and type,	
Reference	FH800
Barcode	942000490062-4

Technical Data

Power supply	230 VAC
Power consumption	max. 5.0 Amps
Supply Line Fusing	max. 10A
Connection terminals	screw clamp terminals
For solid wires	2 x 1.5mm ²
Total product wattage	1000 Watts