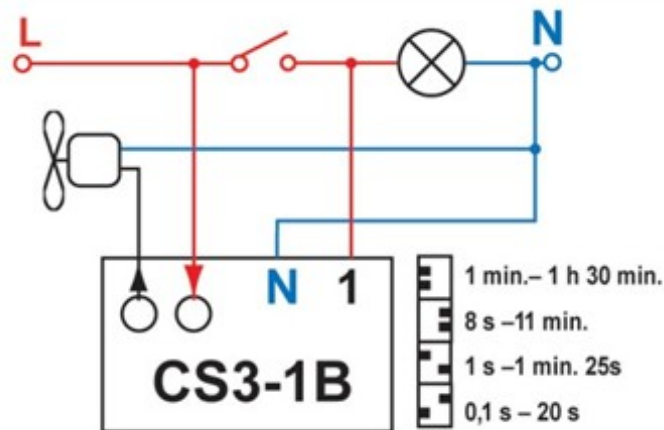


## FA175

Run-on Timer

Hangsell



Activates the fan "DELAY" start (1s to 5 min) after switching the lighting on and deactivates it at a pre-set time (1s to 90 min. "TIMING") after switching the lighting off.

### Specifications

N/A

### Approval

740-145/01

### Features

Fully Adjustable Timer

- Easy to install
- Start timer adjustable
- Run timer adjustable
- 1 year warranty

# Technical Data Sheet

## Product Use

The FA175 is used as a run on timer for bathroom fans

Typical applications:

- Toilets
- Bathrooms
- Laundries

## Environmental Conditions

Operation	to IEC 721-3-3
Climatic conditions	class 3K5
Temperature	0...+50°C
Humidity	<95% r.h.

## Standards

Test standards	EN 60730-1+A1+A11+A12:12/94
	EN 60730-2-7+A11+A12:06/96
Test Report no	740-145/01
EMC Compliance	EN55014-2:1998
	EN61000-4-6:1997

## General

The FA175 activates a fan after a set time (1 second - 5minutes) following a light being switched on and deactivates it again after a set time (1 second - 90minutes) following the light being switched off. Should the lighting period be shorter than the first programmed time, the fan is not activated. The FA175 is suitable for regulating fans in bathrooms and toilets, etc.

## Ordering

When ordering please give name and type, Reference FA175

## Technical Data

Power Supply	230 VAC
Power Consumption	N/A
Supply Line Fusing	max. 10A
Resistive Load	20-350 Watts
Inductive Load	20-200 Watts
Switching Element	Triac
Adjustable time	1s - 90minutes
Number of decades	4